

aquatica®

*Function, Form & Fashion*



*Lorena-S-205 & Lorena-B-307*

3-Hole Mounted Faucets

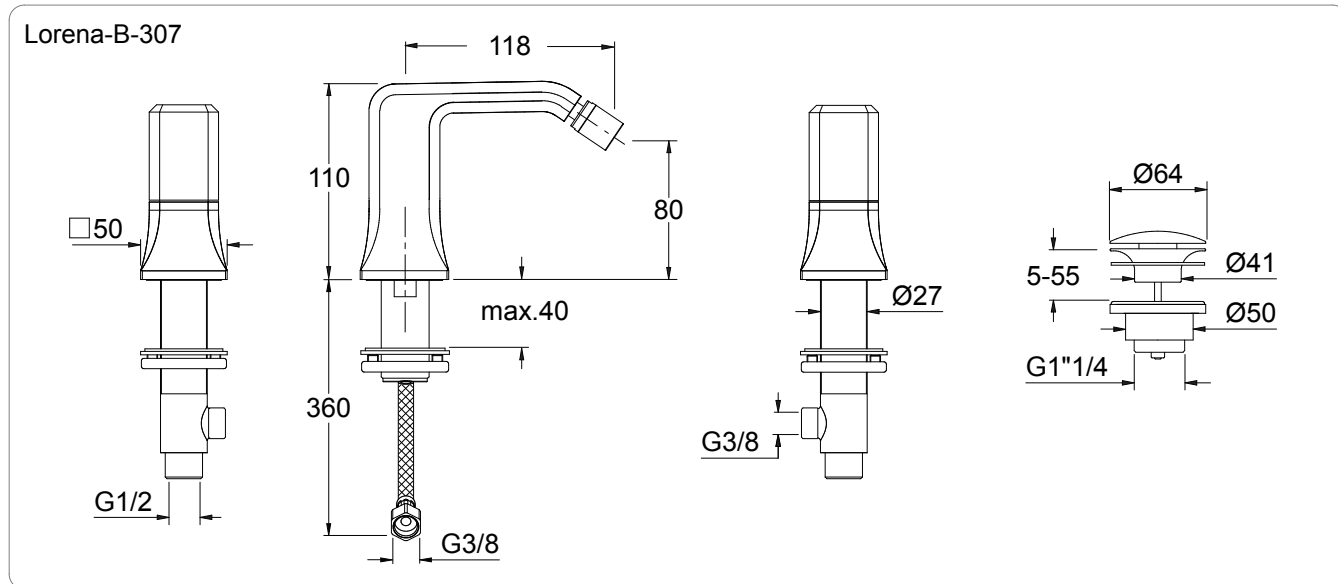
Installation & Care Manual  
Europe / International

# Lorena-S-205 & Lorena-B-307

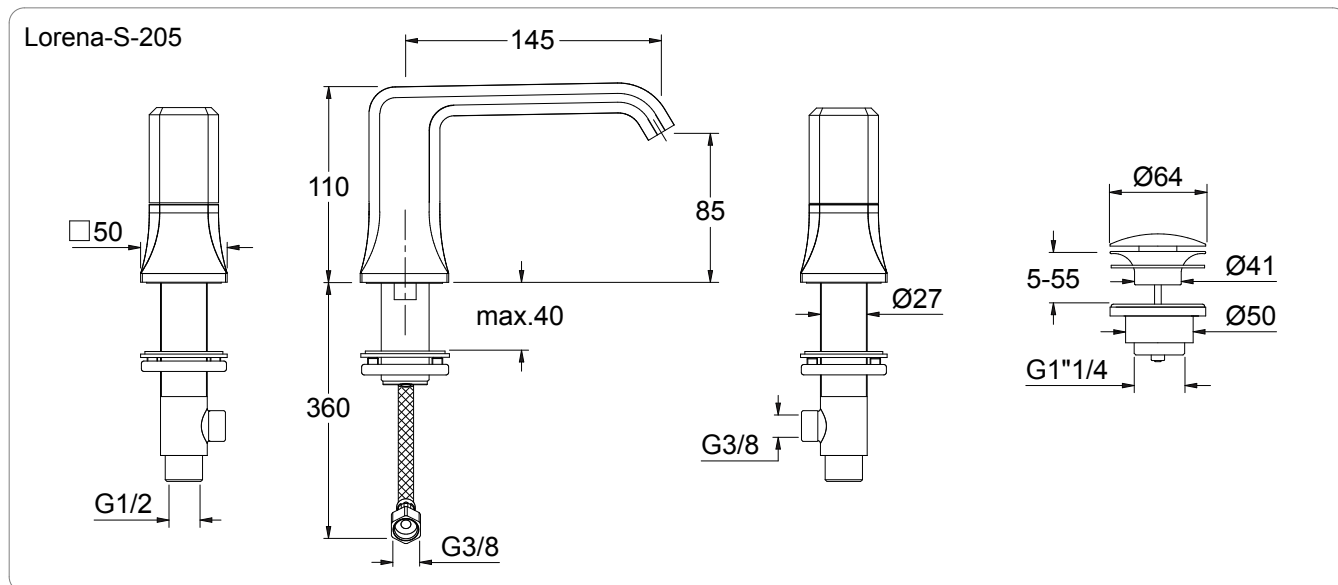
## 3-Hole Mounted Faucets

### PARTS LIST

 MEASUREMENTS: mm



 MEASUREMENTS: mm

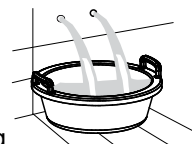


### SPECIFICATIONS

Recommended operational pressure .....	1-5 bar
Maximum test pressure .....	16 bar
Maximum hot water temperature .....	70 °C
Recommended temperature .....	50-60 °C
Pressure difference between hot and cold water .....	max. 1,5 bar

### IMPORTANT NOTE

- Installation to be performed by qualified personnel
- Before connecting to mains, bleed the pipes to avoid damage.



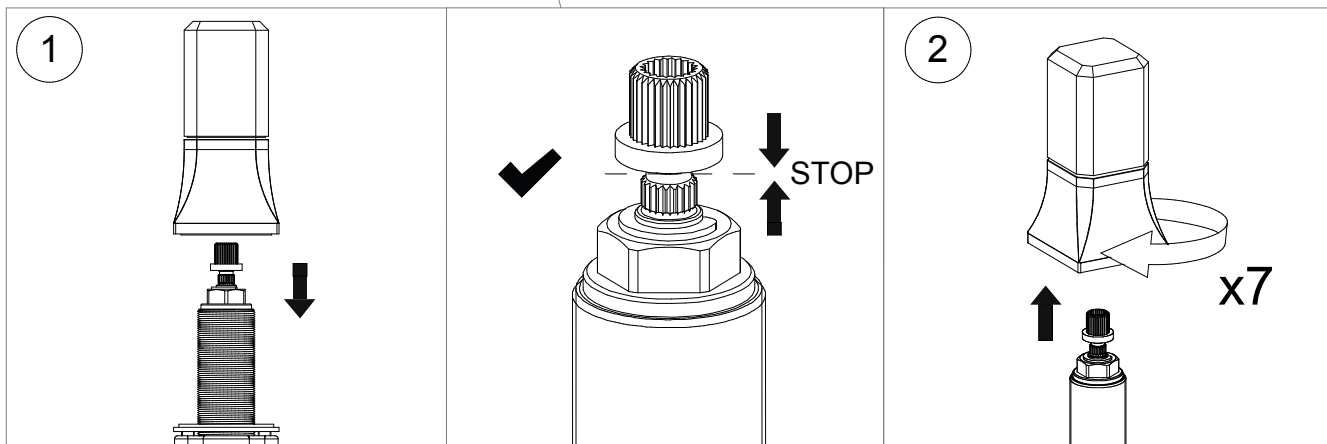
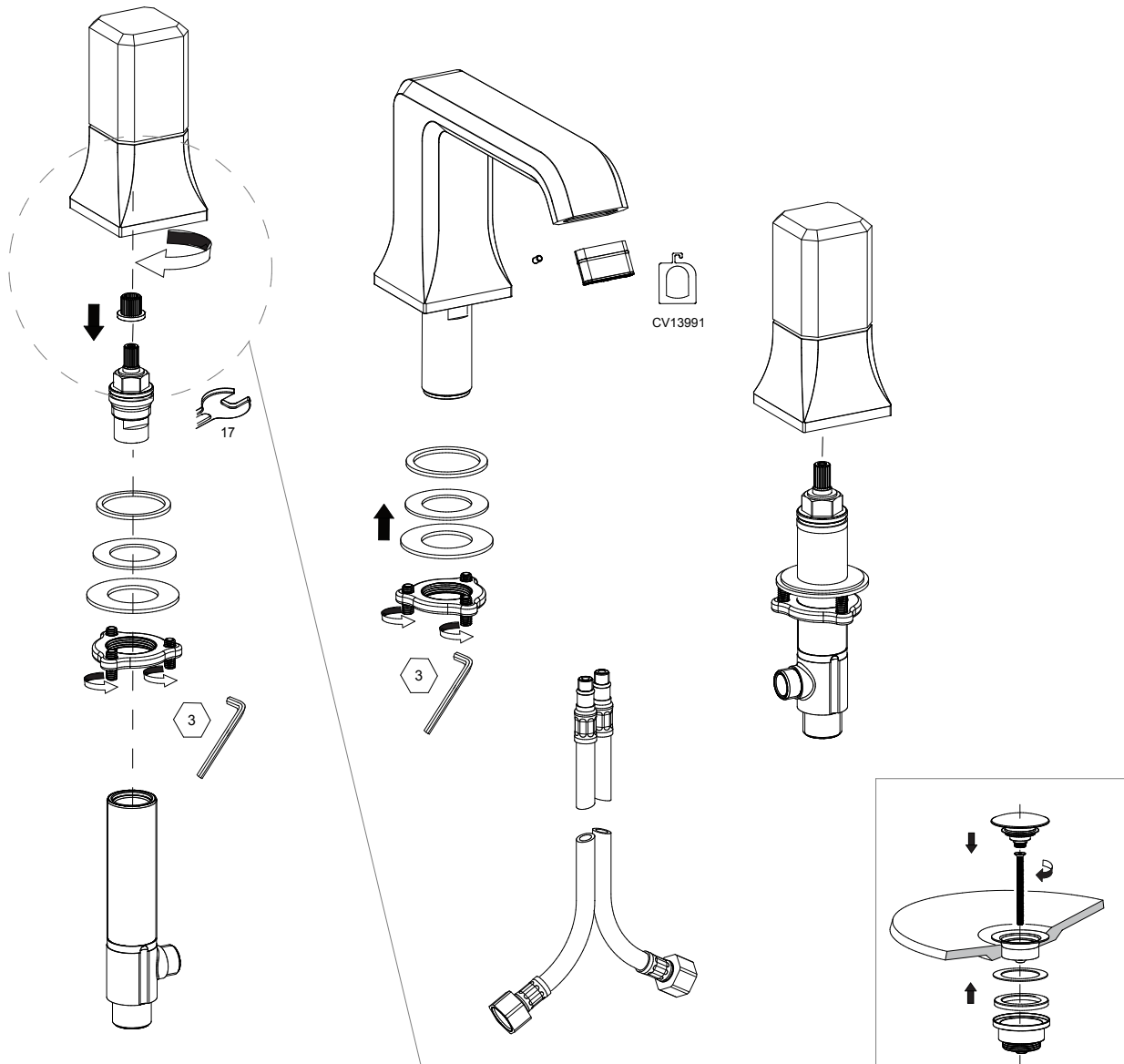
# Lorena-S-205 & Lorena-B-307

## 3-Hole Mounted Faucets

### INSTALLATION

aquatica®

*Function, Form & Fashion*

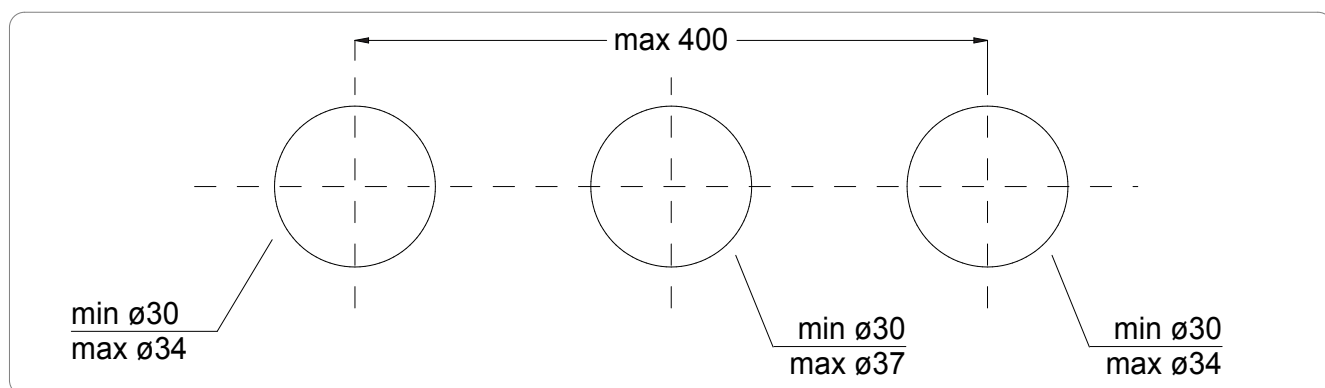
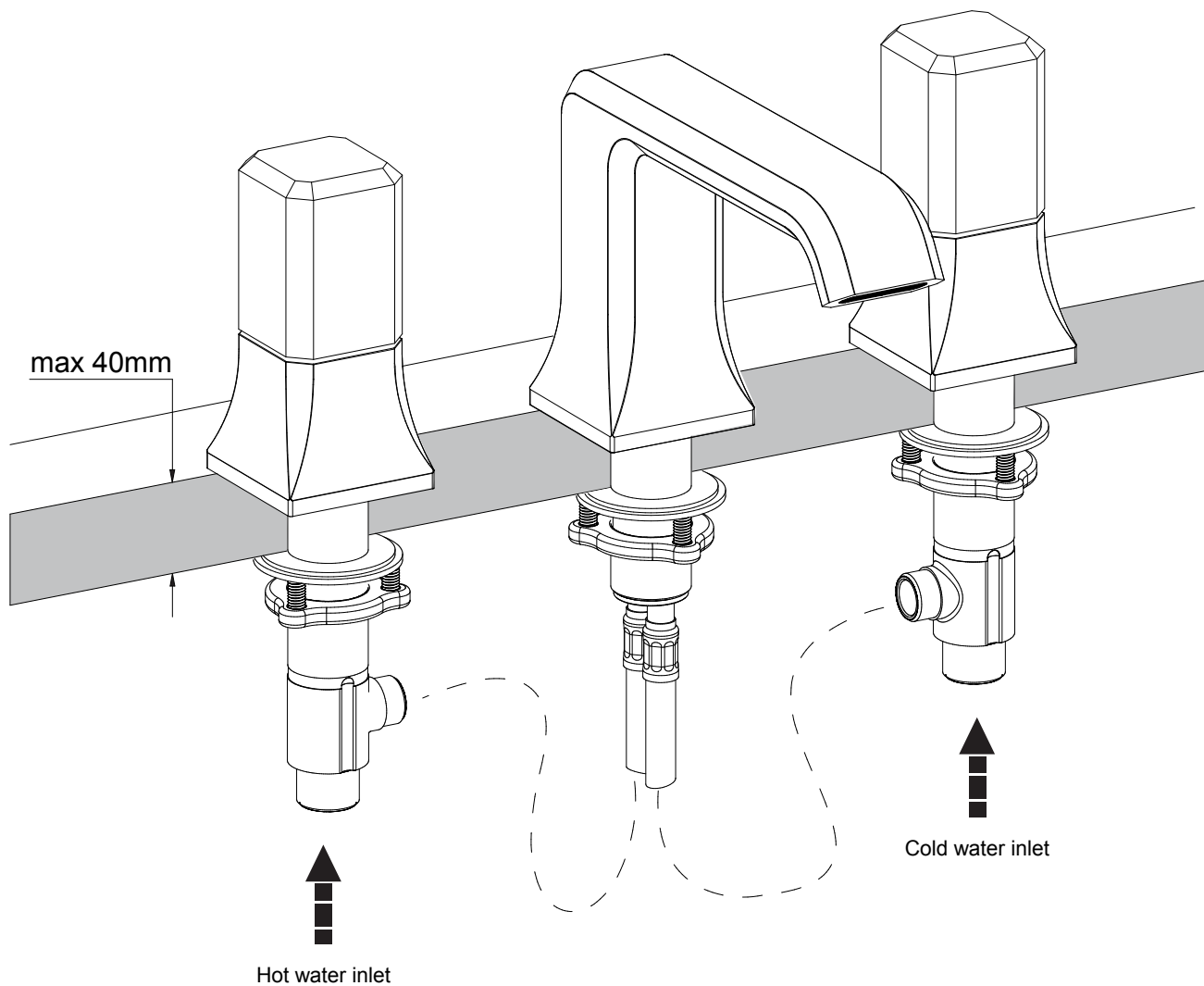


aquatica®  
*Function, Form & Fashion*

# Lorena-S-205 & Lorena-B-307

## 3-Hole Mounted Faucets

### INSTALLATION



# aquatica®

*Function, Form & Fashion*

